

# User manual

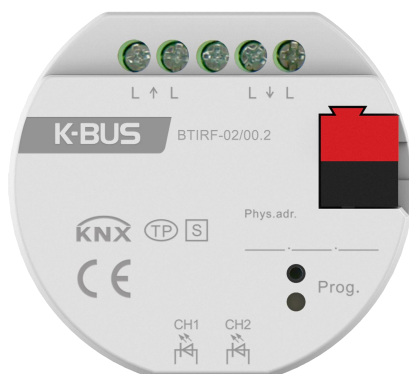
## **K-BUS® KNX Gateway for IR\_V1.2**

**KNX Gateway for IR, Flush mounted, 2-Fold**

**BTIRF-02/00.2**

**KNX Gateway for IR, Ceiling**

**BTIRC-01/00.2**



**KNX/EIB Home and Building Control System**

# Attentions

1. Please keep devices away from strong magnetic field, high temperature, wet environment;



2. Do not fall the device to the ground or make them get hard impact;



3. Do not use wet cloth or volatile reagent to wipe the device;



4. Do not disassemble the devices.

# Contents

<b>Chapter 1 General .....</b>	<b>1</b>
<b>Chapter 2 Technical Data .....</b>	<b>3</b>
2.1 KNX Gateway for IR,Flush mounted,2-Fold (BTIRF-02/00.2) .....	3
2.2 KNX Gateway for IR,Ceiling (BTIRC-01/00.2) .....	4
<b>Chapter 3 Dimension and Connection Diagram .....</b>	<b>5</b>
3.1 Dimension diagram .....	5
3.2 Connection diagram .....	6
<b>Chapter 4 Project design and Application .....</b>	<b>7</b>
<b>Chapter 5 Parameter setting description in the ETS .....</b>	<b>9</b>
5.1 Parameter window "DCA Note" .....	9
5.2 Parameter window "General setting" .....	10
5.3 Parameter window "Channel x " (x=1, 2) .....	12
5.3.1. Parameter window "Universal IR control setting" .....	12
5.3.2. Parameter window "Air-condition control setting" .....	15
5.4 Parameter window "Sequence mode setting" .....	23
5.5 Parameter window "Current detect setting" .....	26
<b>Chapter 6 Communication Object Description .....</b>	<b>28</b>
6.1 "General setting" communication object .....	28
6.2 "Universal IR code control" communication object .....	29
6.3 "Air-condition control" communication object .....	29
6.4 "Sequence mode" communication object .....	31
6.5 "Current detect" communication object .....	32

## Chapter 1 General

KNX Gateway for IR is mainly used to store the IR code learned by the IR learner. Then sending the control telegrams to make KNX Gateway for IR send IR code via KNX device, to perform actions by controlling IR remote control devices such as fan, Air-condition,TV, DVD and etc.

KNX Gateway for IR includes KNX Gateway for IR,Flush mounted,2-Fold (BTIRF-02/00.2) and KNX Gateway for IR,Ceiling (BTIRC-01/00.2). Each product has 2 IR emission channels which can be set as universal IR control or Air-condition control, up to store 300 different IR codes. In addition, KNX Gateway for IR,Flush mounted also has 1 fold current detection function, which can confirm the on or off status of controlled device via current status, and avoid false triggers if On and Off are controlled by the same IR code. KNX Gateway for IR,Ceiling supports for a 360° all-round emitted.

Meanwhile, we provide configuration software tool (KNX Gateway for IR configuration) or DCA for KNX Gateway for IR, is used for auxiliary IR code to learn, test, configure, and download the IR code to the device. KNX bus can control IR device after ETS configuration. **Note: KNX Gateway for IR configuration is PC software running independently in the computer, and DCA is an APP plug-in of ETS. The detailed operation please refer to the tool user manual.**

In addition, auxiliary tool- IR Learner(BTIL-01/00.2) is connected with PC by USB, is used for learning the button function codes of IR remote control devices, such as Fan, Air -condition, TV and etc., and saved them in configuration tool. The IR learner can learn more than 95% IR remote control devices in the market. The learning process is realized via operating configuration software tools, and at the same time the IR detector of remote controller should get as close as possible to the IR learner's, to avoid learn failure. The IR learner has both IR receiving and sending function, test and verify whether the learned function code is correct.

This manual provides specific technical information about KNX gateway for IR for users, as well as assembly and programming details, and explains how to use the device by the application examples.

The functions of KNX gateway for IR are summarized as followed:

- Support Universal IR control, up to 30 IR codes can be configured for each channel
- Support Air-condition control, up to 266 IR codes can be configured, control functions include: ON/OFF, temperature, mode, fan speed, swing
- Support current detection function, up to 10A, can be associated to the transmitting channel (**Only KNX Gateway for IR,Flush mounted supports the function**)
- Support up to 16 sequence controls, each sequence supports up to 4 IR commands to be transmitted by step
- Support transmit with several times or delay time

KNX Gateway for IR,Flush mounted and KNX Gateway for IR,Ceiling only powered from KNX bus. It is available to assign the physical address and configure the parameters by engineering design tools ETS with .knxprod ( support edition ETS5.7 or higher ).

## Chapter 2 Technical Data

### 2.1 KNX Gateway for IR, Flush mounted, 2-Fold (BTIRF-02/00.2)

The extremely compact design enables the KNX gateway for IR to be inserted into a conventional 80mm or 86mm wiring box.

**Attention: the Infrared emitter of the KNX gateway for IR must be installed in range that the IR device can detect normally, to avoid no action.**

<b>Power supply</b>	Bus voltage	21-30V DC, via the KNX bus	
	Bus current	<6.5mA, 24V <6mA, 30V	
	Bus consumption	<180mW	
	Dynamic current	<9.5mA, 24V <8mA, 30V	
<b>Current Detection</b>	Current detection range	50mA-10A	
	Current detection accuracy	50mA-500mA	±20mA 500mA-10A ±5%
<b>Output</b>	Channel	2 independent channels	
	Max. Transmitting distance	2m	
	IR wavelength	940nm	
	IR emission receiving angle	<45°	
<b>Connection</b>	KNX	Bus connection terminal(Red/Black)	
	Load (For Current Detection)	Screw terminals, Wire Range, Multi-core 0.2-1.5mm <sup>2</sup> Single core 0.2-2.5mm <sup>2</sup> , Torque 0.4N-m	
	IR detector extension cable	<10m	
<b>Operation and display</b>	Programming button and Red LED	For assigning the physical address	
	Green LED flashing	For displaying application layer running normally	
<b>Temperature</b>	Operation	- 5 °C ... 45 °C	
	Storage	- 25 °C ... 55 °C	
	Transportation	- 25 °C ... 70 °C	
<b>Ambient</b>	Humidity	<93%, except dewing	
<b>Installation</b>	Mounting	In wiring box, 80×80mm or 86×86mm	
<b>Dimension</b>	φ53×23.5mm		
<b>Weight</b>	0.04kg		

## 2.2 KNX Gateway for IR,Ceiling (BTIRC-01/00.2)

The extremely compact design enables the KNX Gateway for IR to be mounted in the ceiling. 360° full direction transmitting.

**Attention: the Infrared emitter of the KNX gateway for IR must be installed in range that the IR device can detect normally, to avoid no action.**

<b>Power supply</b>	Operation voltage	21-30V DC, via the KNX bus
	Bus current	<8mA, 24V <7mA, 30V
	Bus consumption	<210mW
	Dynamic current	<14mA, 24V <12mA, 30V
<b>Output</b>	IR wavelength	940nm
	Radius distance	<3m
<b>Installation</b>	Height	<4m
<b>Connections</b>	KNX	Bus connection terminal(Red/Black)
<b>Operation and display</b>	Programming button and Red LED	For assigning the physical address
	Green LED flashing	For displaying application layer running normally
<b>Temperature</b>	Operation	- 5 °C ... 45 °C
	Storage	- 25 °C ... 55 °C
	Transportation	- 25 °C ... 70 °C
<b>Ambient</b>	Humidity	<93%, except dewing
<b>Dimension</b>	91 × 76 × 82.25mm	
<b>Weight</b>	0.05kg	

## Chapter 3 Dimension and Connection Diagram

### 3.1 Dimension diagram

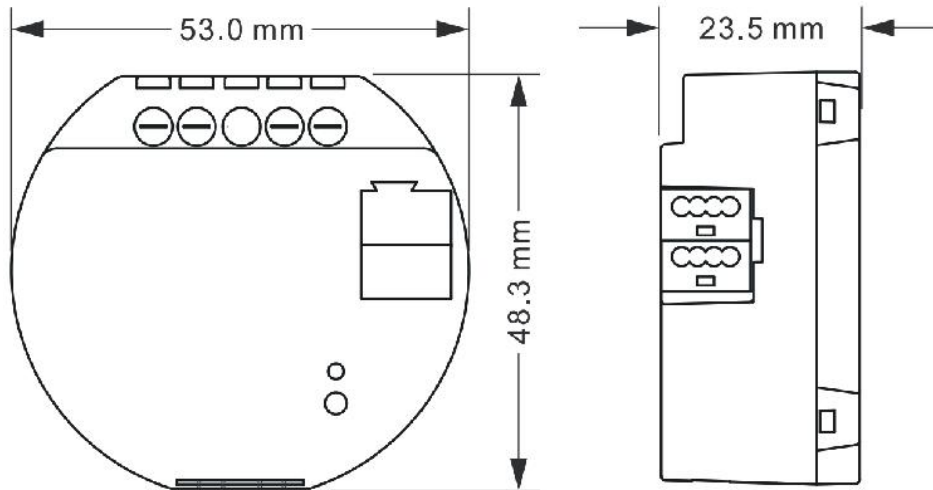


Fig.3.1(1) KNX Gateway for IR,Flush mounted,2-Fold (BTIRF-02/00.2)

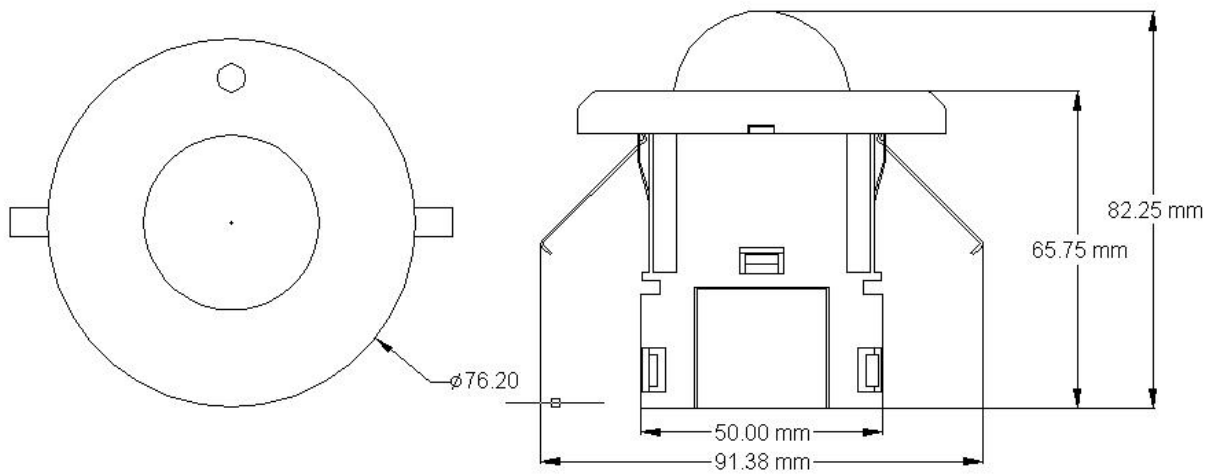


Fig.3.1(2) KNX Gateway for IR,Ceiling (BTIRC-01/00.2)



**3.2 Connection diagram**

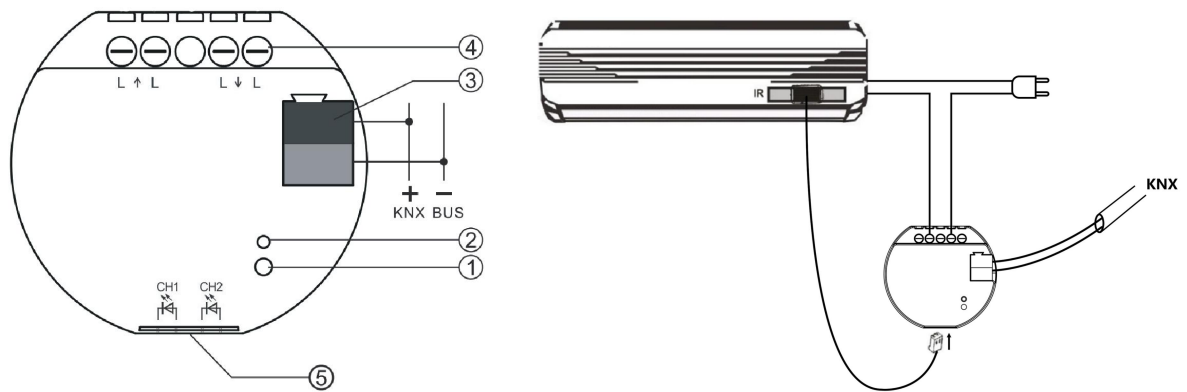


Fig.3.2(1) KNX Gateway for IR, Flush mounted, 2-Fold (BTIRF-02/00.2)

- ① Programming LED
- ② Programming button
- ③ KNX bus connection terminal
- ④ Device load connection terminals, if require current detection
- ⑤ Connectors for Infrared emitter cable

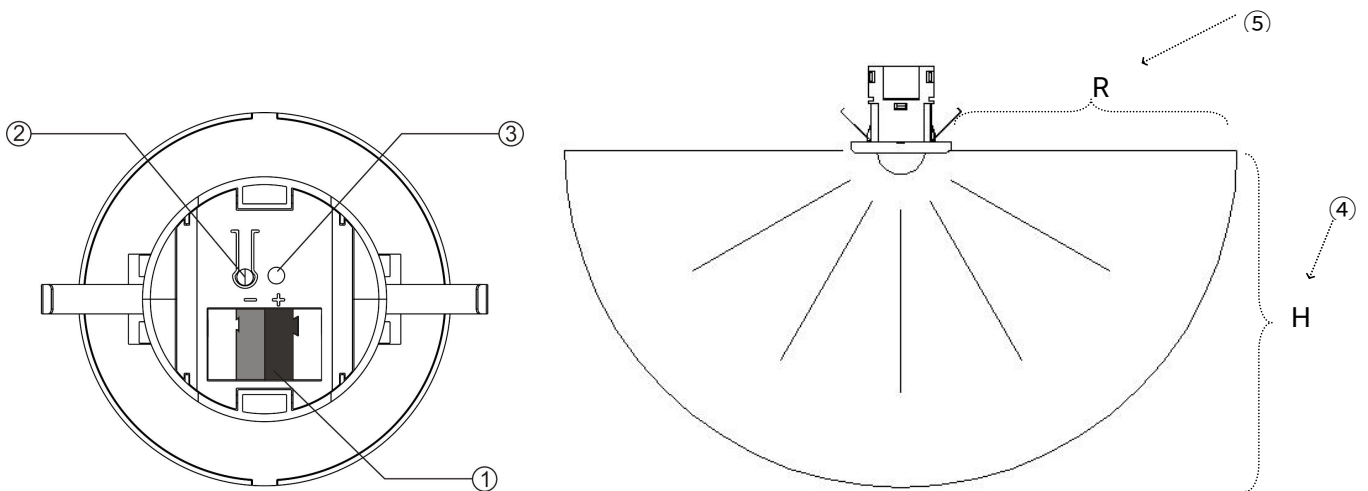


Fig.3.2(2) KNX Gateway for IR, Ceiling (BTIRC-01/00.2)

- ① KNX bus connection terminal
- ② Programming button
- ③ Programming LED
- ④ Installation height: <4m
- ⑤ Transmit radius: <3m

## Chapter 4 Project design and Application

Application	Max.number of communication objects	Max. Number of group address	Max. number of associations
<b>KNX Gateway for IR,Flush mounted,2-Fold/1.0</b> <b>KNX Gateway for IR,Ceiling/1.0</b>	<b>167</b>	<b>500</b>	<b>500</b>

### General Setting

General setting includes device In operation setting and channel function setting. In operation setting is used for indicating whether the device application layer running normally. Channel function can be configured Universal IR control or Air-condition control, up to set 2 channels. But only one of the channels is supported to Air-condition control. That is when Channel 1 is used for Air-condition control, and Channel 2 is only used for Universal IR control; if Channel 1 is used for Universal IR control, and Channel 2 can be used for Air-condition control.

### Universal IR control

Each channel up to support 30 IR code configurations is used for universal control, such as Fan, TV, DVD and etc. You can set the object datatype 1bit or 1byte, the object value, the corresponding IR code, and the status feedback to trigger the IR code to emit. Each IR code can set emission time and sending count.

In addition, KNX Gateway for IR,Flush mounted also supports whether to connect with current detection status, and you can decide whether to emit IR code according to the current switch status after connecting.

### **Air-condition device control**

Support the similar control way of universal Air-condition gateway, that is built-in status save and logic operation, can be controlled independently;

Support the function control and the status feedback: Air-condition switch, setpoint temperature, modes, fan speed, and swing;

Set the connection with the window sensor, turn off Air-condition after delay a time when receives the window open command, to save energy;

Set the connection with the presence sensor, turn off Air-condition after delay a time when receives the room unoccupied command, to save energy.

### **Sequence sending function**

Up to support 16 sequence controls. Each sequence supports 1 bit or 1byte scene value trigger, up to support 4 IR commands binding sent, and each command can be set the delay time, the count and the channel of emission.

### **Current function( Only the Flush mounted support)**

Supports a current detection function of up to 10A, can be connected with emission channel. Users can set the setpoint current threshold value (decided by the technology for the load), to define the power on/off status of controlled device. Current detection value and switch status can be both sent to the bus.

## Chapter 5 Parameter setting description in the ETS

This chapter takes KNX Gateway for IR, Flush mounted, 2-Fold as example to explain the ETS system parameter setting of KNX gateway for IR. And the Ceiling and the Flush mounted are mainly different in without current detection function.

### 5.1 Parameter window "DCA Note"

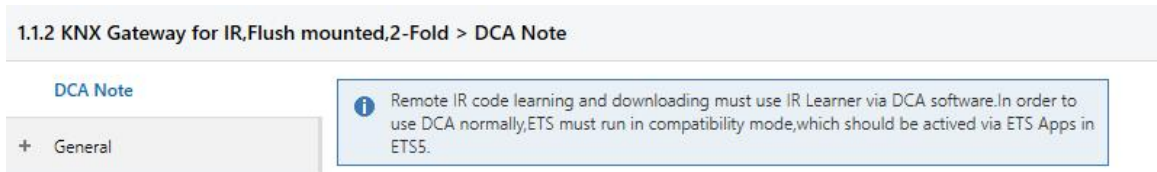
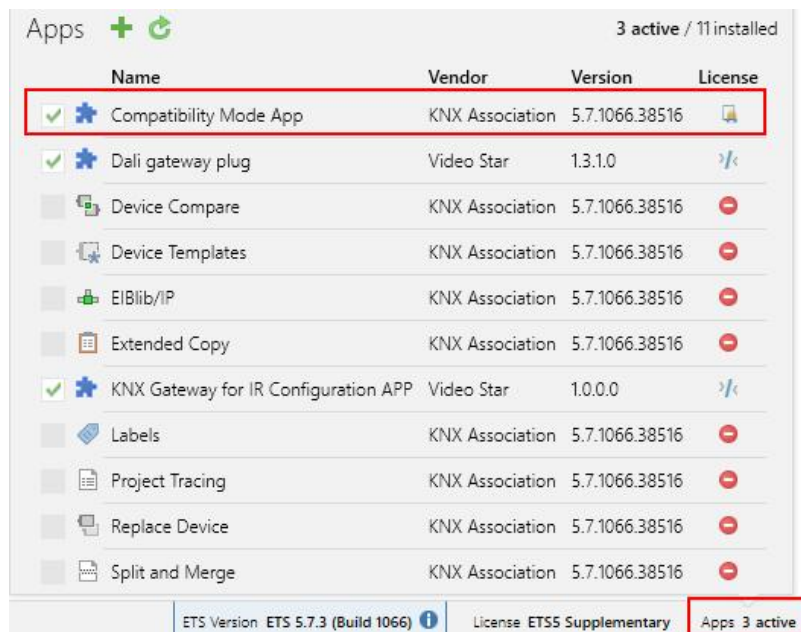


Fig.5.1 "DCA Note" parameter window

**A noting message. Remote IR code learning and downloading must use IR Learner via DCA software, you can download the DCA form MyKNX online shop or get it from the manufacture. In order to use DCA normally, ETS must run in compatibility mode, which should be activated via ETS Apps window in ETS5, as shown as follow figure.**



## 5.2 Parameter window “General setting”

--- KNX Gateway for IR, Flush mounted, 2-Fold > General > General setting

DCA Note	Send cycle of "In operation" telegram [1..240,0=inactive]	0	min
<b>Channel setting</b>			
General	Channel 1 function	Universal IR control	
General setting	Check current status when emitting	External	
Channel 1	Monitoring period of current ON/OFF [0..255,0=inactive]	0	min
Channel 2	Channel 2 function	Air-condition control	
Sequence mode	<b>Function setting</b>		
Current detect	Sequence mode function	<input checked="" type="checkbox"/>	
	Current detection function	<input checked="" type="checkbox"/>	

Fig.5.2“General setting” parameter window

### Parameter “Send cycle of “In operation” telegram [1...240s, 0 = inactive]”

This parameter is for setting the time interval when this module cycle send telegrams through the bus to indicate this module in normal operation. When set to “0”, the object “in operation” will not send a telegram. If the setting is not “0”, the object “In operation” will send a telegram according to the set period time with logic “1” to the bus. Options: **0...240s, 0= inactive**

As to reduce the bus load as much as possible, the maximum time interval should be selected according to actual needs.

### Channel setting

#### Parameter “Channel x function” (x=1, 2)

This parameter is for setting the channel function of KNX gateway for IR. Options:

**Disable**

**Universal IR control**

**Air-condition control**

**Note:** When channel 1 is set as Air-condition control, and channel 2 is only set as Universal IR control; If channel 1 is set as Universal IR control, and channel 2 can be set as Air-condition control or Universal IR control.

**Parameter "Check current status when emitting"**

This parameter is visible when channel function is selected as "Universal IR control". Set whether to connect with current detection status. It decides the On or Off status of the controlled device according to the current status, to avoid false triggering when the same IR code is used for On and Off. If On and Off use different IR codes to control, no need to set connection. Options:

**Disable**

**Local**

**External**

Disable: No connection;

Local: local connection, the own current detection function of the device is used;

External: external connection, give the current status of external device detection to the device.

**--Parameter "Monitoring period of current ON/OFF [0..255,0=inactive]min"**

This parameter is visible when current detection status is selected as "External". Set the monitoring period of external current switch status. If current switch status from the external device is not received during monitoring period, wrong current detection of external will be considered.

Options: **0..255, 0=inactive**

**--Parameter "Reply error of current detection"**

This parameter is visible when the monitoring period>0. When external current detection is error, set whether to send error telegram to the bus. Sent when status changes. Options:

**None**

**0=no error/1=error**

**1=no error/0=error**

None: no sending.

0=no error/1=error: when error, object "CHx-External error report" sends telegram "1" to the bus, and no error sends "0";

1=no error/0=error: when error, object "CHx-External error report" sends telegram "0" to the bus, and no error sends "1".

**Function setting**

Parameter "Sequence mode function"

This parameter is for setting whether to enable sequence mode function, display the relevant window after selected.

Parameter "Current detection function"

This parameter is for setting whether to enable current detection function, display the relevant window after selected.

**5.3 Parameter window "Channel x" (x=1, 2)**

**5.3.1. Parameter window "Universal IR control setting"**



Fig.5.3.1(1) "Universal IR control setting" parameter window

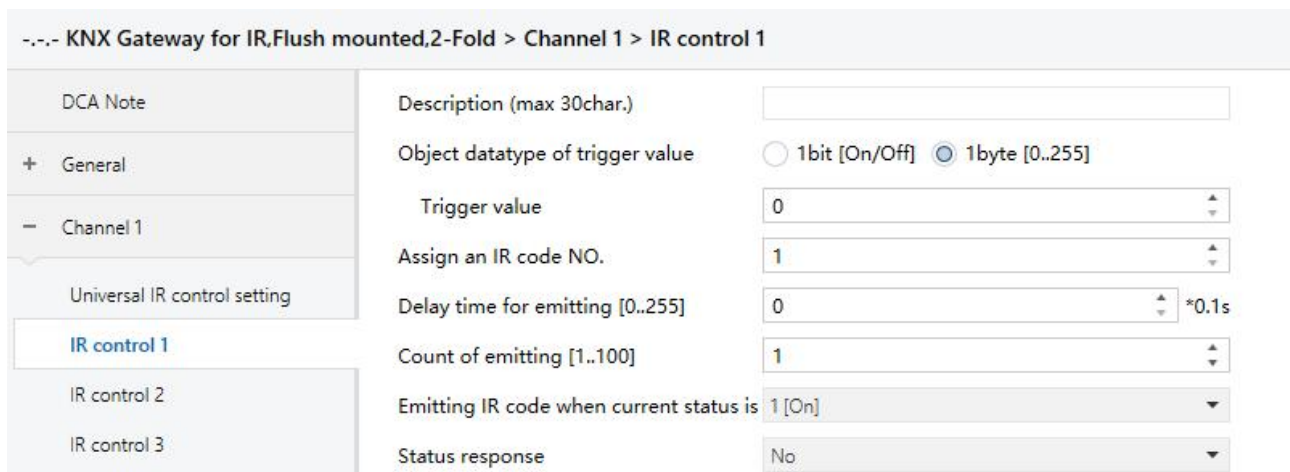


Fig.5.3.1(2) "IR control x" parameter window

**Parameter "IR control x" (x=1~30)**

This parameter is for setting whether to enable IR control, display the relevant window after selected. Each channel up to support 30 IR controls.

**Parameter "Description (max 30char.)"**

This parameter is for setting the custom description of IR code, and the description of corresponding setting window and object name will also change. Up to 30 characters can be input.

**Parameter "Object datatype of trigger value"**

This parameter is for setting the object datatype for triggering the IR code emit. Options:

**1bit [On/Off]**

**1byte [0..255]**

**--Parameter "Trigger value"**

This parameter is for setting the received value when IR code emission is triggered. The value is based on the trigger object datatype:

When select 1 bit, options:

**1 [On]**

**0 [Off]**

**Both 1 and 0**

When select 1byte, options: **0..255**

**Parameter "Assign an IR code NO. [1..300]"**

This parameter is for setting the emitted IR code, with a total selection of 300 IR codes. Options:

**1..300**

**Parameter "Delay time for emitting [0..255]\*0.1s"**

This parameter is for setting the delay time of IR code emission. Options: **0..255**

**Parameter "Count of emitting [1..100]"**

This parameter is for setting the count of IR code emission. Options: **1..100**



**Parameter "Emitting IR code when current status is"**

This parameter is visible when the current detection status is selected "Local" or "External". Set whether to emit IR code according to the current status. Options:

**1 [On]**

**0 [Off]**

**Both 1 and 0**

1 [On]: if current status is ON, emit IR code, otherwise not.

0 [Off]: if current status is OFF, emit IR code, otherwise not.

Both 1 and 0: both emit when the current status is On or Off.

**Parameter "Status response"**

This parameter is for setting whether to reply a status value to the bus after the device emitting IR code, to inform emission is completed. Options:

**No**

**Response value '1'**

**Response value '0'**

**According control value**

No: no responding;

Response value '1': object "IR Response value" replies the telegram value "1";

Response value '0': object "IR Response value" replies the telegram value "0";

According control value: object "IR Response value" the telegram value of response is the same as trigger value.

5.3.2. Parameter window “Air-condition control setting”

--- KNX Gateway for IR, Flush mounted, 2-Fold > Channel 1 > Air-condition control

DCA Note	Remote model NO.	0
+ General	<span style="color: red;">✘</span> Remote model NO. do not support currently	
- Channel 1	Description (max 30char.)	
Air-condition control	Assign IR code NO. for OFF	265
+ Channel 2	Assign IR code NO. for ON	266
+ Sequence mode	<b>Initial configuration for ON</b>	
+ Current detect	Temperature	25 °C
	Mode	Auto
	Fan speed	Auto
	Swing	<input type="radio"/> Swing <input checked="" type="radio"/> Stop
	Object datatype of setpoint temperature	<input type="radio"/> 1byte (real temperature value) <input checked="" type="radio"/> 2byte (knx standard DPT)
	Min. setpoint temperature	16 °C
	Max. setpoint temperature	30 °C
	Emitting AC status after bus recovery	No
	AC status response object	<input type="radio"/> Disable <input checked="" type="radio"/> Enable
	Window sensor	<input type="radio"/> Disable <input checked="" type="radio"/> Enable
	Delay to turn off AC after window open [0..255]	1 min
	Presence detector	<input type="radio"/> Disable <input checked="" type="radio"/> Enable
	Delay to turn off AC after the room unoccupied [0..255]	20 min
	Object datatype of 1byte fan speed	<input type="radio"/> Fan stage (DPT_5.100) <input checked="" type="radio"/> Percentage (DPT_5.001)
	<b>Fan speed control setting</b>	
	Control value for fan speed auto	0 %
	Control value for fan speed low	33 %
	Control value for fan speed medium	67 %
	Control value for fan speed high	100 %
	<b>Fan speed status setting</b>	
	Status value for fan speed auto	0 %
	Status value for fan speed low	33 %
	Status value for fan speed medium	67 %
	Status value for fan speed high	100 %

Heat-Fan auto-No Swing

Heat-Fan low-No Swing

Heat-Fan medium-No Swing

Heat-Fan high-No Swing

Heat-Fan auto-Swing

Heat-Fan low-Swing

Heat-Fan medium-Swing

Heat-Fan high-Swing

Cool-Fan auto-No Swing

Cool-Fan low-No Swing

Cool-Fan medium-No Swing

Cool-Fan high-No Swing

Fig.5.3.2(1) “Air-condition control setting” parameter window

Fig.5.3.2(2) "Air-condition control setting" parameter window

参数 "Remote model NO."

This parameter is for setting the remote model number of Air-condition. Options: **0..255**

**Note: This parameter is a preset parameter. Do not support to input remote model number currently.**

Parameter "Description (max 30char.)"

This parameter is for setting the custom description of Air-condition, and the description of corresponding object name of Air-condition will also change. Up to 30 characters can be input.

Parameter "Assign IR code NO. for OFF [1..300]"

This parameter is for setting the IR code number when power off Air-condition. Options: **1..300**

Parameter "Assign IR code NO. for ON [1..300]"

This parameter is for setting the IR code number when power on Air-condition. Options: **1..300**

---

**Initial configuration for ON**

**Note: If the configuration of the initial status is not consistent with the IR code learned by ON, there will be inconsistencies in the status of the realized control and the feedback from the device to the bus. The control is controlled by the IR code and the feedback is fed back according to the configuration of the initial status.**

The following parameters are for setting the initial status when power on Air-condition.

**---Parameter "Temperature"**

This parameter is for setting the temperature of Air-condition when power on. Options:

**16°C**

**17°C**

**...**

**30°C**

**---Parameter "Mode"**

This parameter is for setting the control mode of Air-condition when power on. Options:

**Heating**

**Cooling**

**Dehumidification**

**Fan**

**Auto**

**---Parameter "Fan speed"**

This parameter is for setting the fan speed of Air-condition when power on. Options:

**Auto**

**Low**

**Medium**

**High**

**Parameter "Swing"**

This parameter is visible when enable swing control. Set the action of swing when power on.

Options:

**Swing**

**Stop**

**Parameter "Object datatype of setpoint temperature"**

This parameter is for setting object datatype of setpoint temperature. Options:

**1byte (real temperature value)**

**2byte (knx standard DPT)**

**Parameter "Min. setpoint temperature"****Parameter "Max. setpoint temperature"**

These two parameters are for setting the adjustable range for limiting the temperature setpoint value. The minimum value must be less than the maximum value. If the setpoint value exceeds the limited range, output according to the limit. Options:

**16°C**

**17°C**

...

**30°C**

**Parameter "Emitting AC status after bus recovery"**

This parameter is for setting whether to send the command of Air-condition control to the device after bus reset. Options:

**No**

**On**

**Off**

**As before power off**

No: no emission;

On: emit the IR code when power on Air-condition;

Off: emit the IR code when power off Air-condition;

As before power off: emit the IR code of the Air-condition status as before power off.

**Parameter "AC status response object"**

This parameter is for setting whether to enable the AC status response object. When enabled, the status objects of switch, fan speed, mode, setpoint temperature and swing are visible. And they will send initial status to the bus when bus power on. Options:

**Disable**

**Enable**

**Parameter "Window sensor"**

This parameter is for setting whether to enable connect with the sensor that detect the switch status of window. This is external sensor. Options:

**Disable**

**Enable**

**---Parameter "Delay to turn off AC after window open [0..255]min"**

This parameter is visible when the previous parameter enabled. Set the delay time for turning off Air-condition when receive a command of opening window from sensor, to save energy. Options: **0..255**

**Parameter "Presence detector"**

This parameter is for setting whether to enable connect with the presence detector. This is external sensor. Options:

**Disable**

**Enable**

**---Parameter "Delay to turn off AC after the room unoccupied [0..255]min"**

This parameter is visible when the previous parameter enabled. Set the delay time for turning off Air-condition when receive command of the room unoccupied from sensor, to save energy. Options:

**0..255**

**Parameter "Object datatype of 1byte fan speed"**

This parameter is for setting the object datatype of 1 byte fan speed. Options:

**Fan stage (DPT\_5.100)**

**Percentage (DPT\_5.001)**

---

## Fan speed control setting

### ---Parameter "Control value for fan speed auto/low/medium/high/auto"

These parameters are for setting the control values sent by each fan speed. According to object datatype, the range of control value: **0..255 / 0..100**

### ---Parameter "Status value for fan speed auto/low/medium/high/auto"

These parameters are for setting the status feedback values of each fan speed. According to object datatype, the range of control value: **0..255 / 0..100**

### Parameter "Swing control"

This parameter is for setting whether to enable swing control. When enabled, relevant settings are visible. Options:

**Disable**

**Enable**

## Mode control function

### Parameter "Auto/Heating/Cooling/Fan/Dehumidification mode"

These parameters are for setting whether to enable each Air-condition mode. When enabled, relevant settings are visible.

### ---Parameter "Control value for heating/cooling/dehumidification/fan/auto mode [0..255]"

These parameters are visible when modes enabled. Set to switch to each mode control value. Options: **0..255**

### ---Parameter "Status value for heating/cooling/dehumidification/fan/auto mode [0..255]"

These parameters are visible when modes enabled and "AC status response object" enabled. Set to the each mode status feedback value. Options: **0..255**

The following is mainly explain IR code number assignment of various combination control functions. In Air-condition control system, usually a IR code includes multiple control instructions, such as setpoint temperature, modes, fan speed, swing and etc. Therefore, it need configure IR code according to actual study when assign IR code for each combination control function in ETS. The study of IR code and related configuration can be edited or checked in configuration software tool or DCA, as following figure.

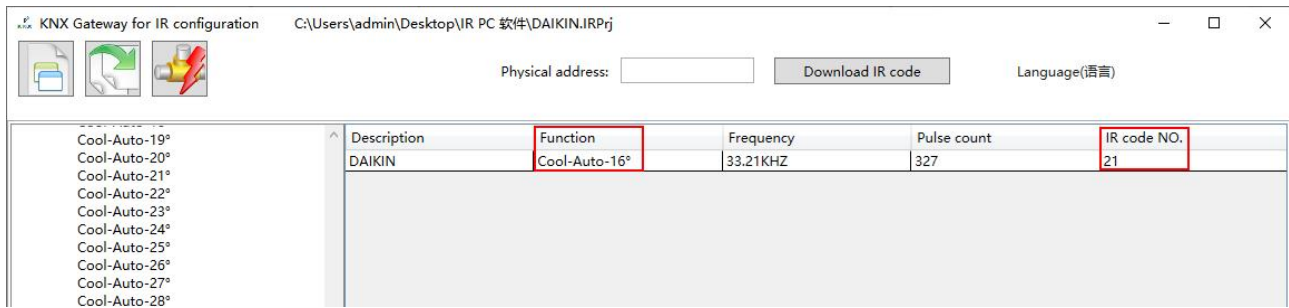


Fig 5.3.2 (3) IR code library

The parameter setting windows of IR code number assignment of each combination control function are as following, take two of these windows as an example to explain. Auto/Fan/Dehumidification modes do not have adjustment of setpoint temperature, therefore, these three modes settings are similar. And Heat/Cool modes have setpoint temperature, so that these two modes settings are similar.

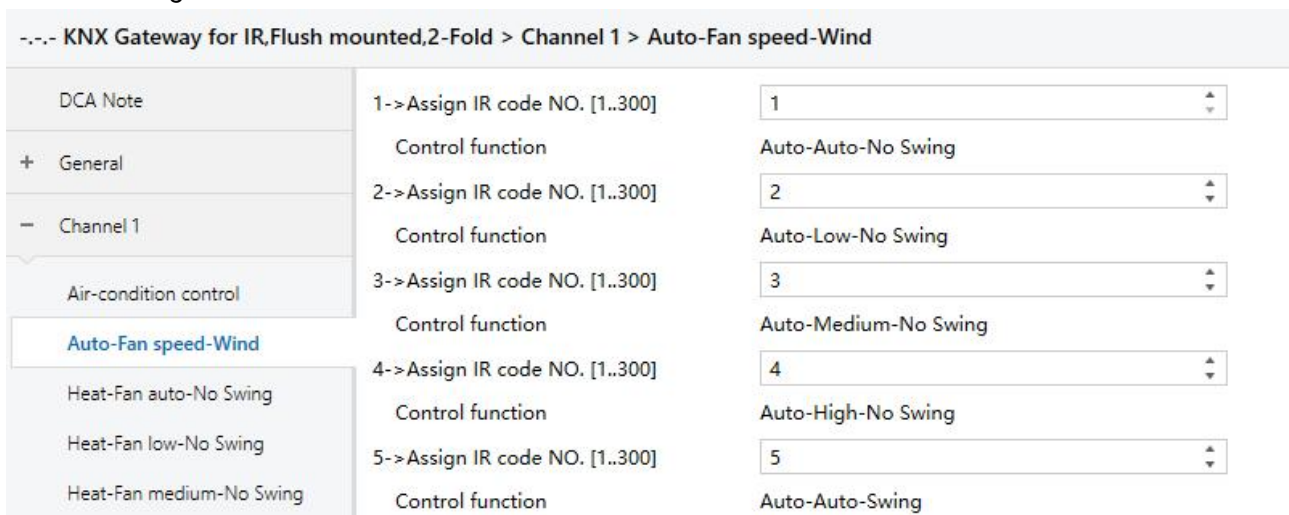


Fig.5.3.2(4) "Auto-Fan speed-Wind" parameter window

**Parameter "1->Assign IR code NO. [1..300]"**

This parameter is for setting the IR code number corresponding to the combination function.

Options: **1..300**

**Parameter "Control function"**

This parameter notes the control function contained in this IR code. So that, we need find the IR code number in the IR code library according to control function when the IR code number is assigned for previous parameter.

As shown in the window, Auto-Auto-No Swing indicates that the control function is auto mode-auto fan speed-no swing, the corresponding IR code number is 1.



-.- KNX Gateway for IR, Flush mounted, 2-Fold > Channel 1 > Heat-Fan auto-No Swing		
DCA Note	1->Assign IR code NO. [1..300]	9
+ General	Temperature	16°C
- Channel 1	2->Assign IR code NO. [1..300]	10
Air-condition control	Temperature	17°C
Auto-Fan speed-Wind	3->Assign IR code NO. [1..300]	11
<b>Heat-Fan auto-No Swing</b>	Temperature	18°C
Heat-Fan low-No Swing	4->Assign IR code NO. [1..300]	12
Heat-Fan medium-No Swing	Temperature	19°C
Heat-Fan high-No Swing	5->Assign IR code NO. [1..300]	13
Heat-Fan auto-Swing	Temperature	20°C
Heat-Fan low-Swing	6->Assign IR code NO. [1..300]	14
Heat-Fan medium-Swing	Temperature	21°C
Heat-Fan high-Swing	7->Assign IR code NO. [1..300]	15
	Temperature	22°C
	8->Assign IR code NO. [1..300]	16
	Temperature	23°C

Fig.5.3.2(4) "Heat-Fan auto-No Swing" parameter window

#### 参数"1->Assign IR code NO. [1..300]"

This parameter is for setting the IR code number corresponding to the combination function at each setpoint temperature. Options: **1..300**

#### 参数"Temperature"

This parameter notes the setpoint temperature contained in this IR code, but the control function is indicated in the title of the parameter window (view on the left side of parameter configuration window). So that, we need find IR code number in the IR code library according to control function and setpoint temperature when the IR code number is assigned for previous parameter.

As shown in the window, Heat-Fan auto-No Swing on the left side indicates that the control function is heat mode-auto fan speed-no swing, the IR code number corresponding to the setpoint temperature 16°C is 9.

### 5.4 Parameter window “Sequence mode setting”

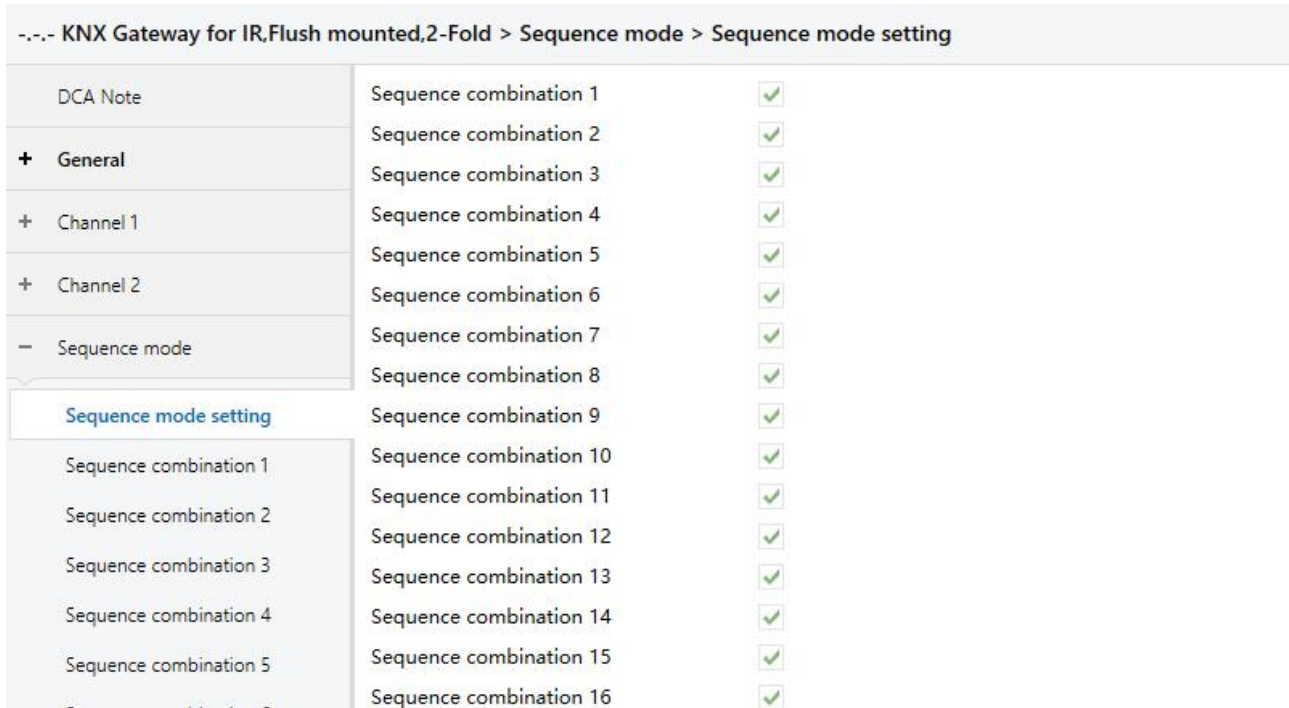


Fig.5.4(1) “Sequence mode setting” parameter window

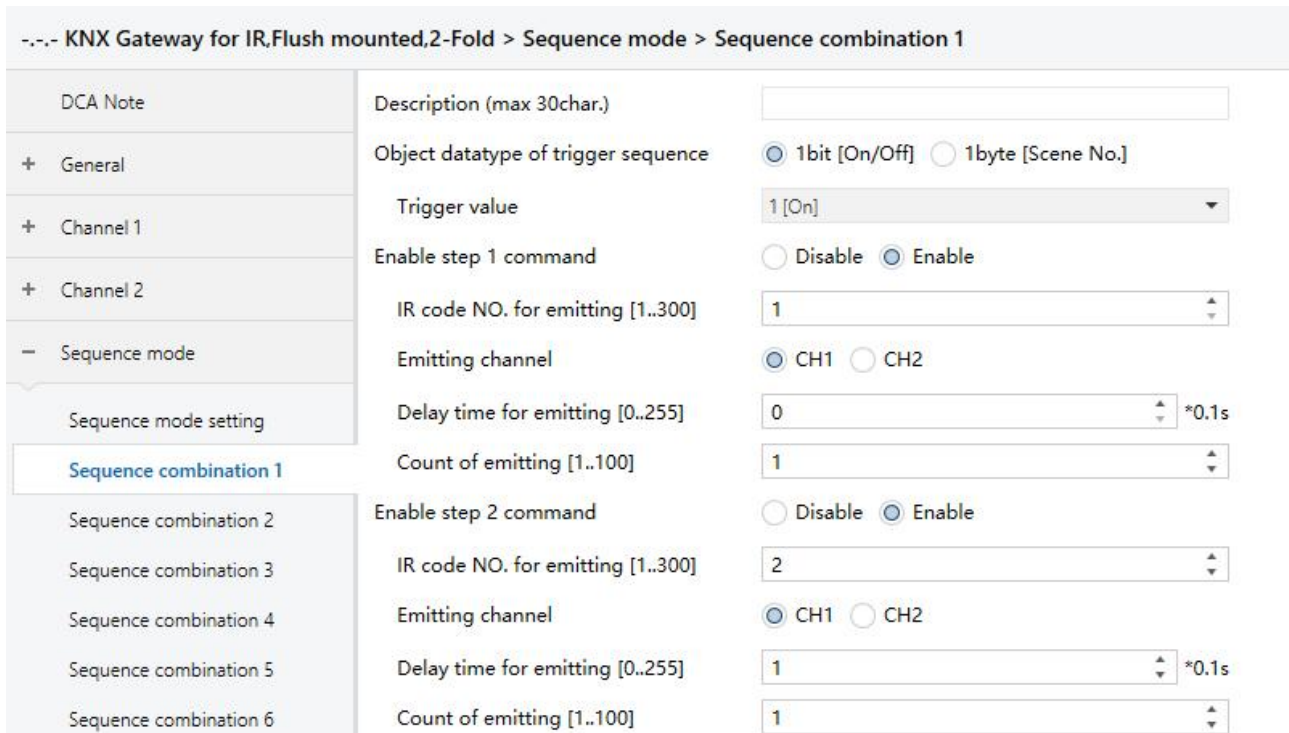


Fig.5.4(2) “Sequence combination 1” parameter window

**Parameter "Sequence combination 1" (x=1~16)**

This parameter is for setting whether to enable sequence combination control function, display related setting windows after selected. Up to support 16 sequence combination controls.

A sequence up to support 4 command settings. For example, a remote control fan, we can set a delay time for the command to execute gradually. The first step is power on, the second is adjust fan speed, the third is setting a swing, the forth is setting a timing.

**Parameter "Description (max 30char.)"**

This parameter is for setting the custom description of sequence, and the description of corresponding object name of sequence will also change. Up to 30 characters can be input.

**Parameter "Object datatype of trigger sequence"**

This parameter is for setting the object datatype to trigger the sequence execution. Options:

**1bit [On/Off]**

**1byte [Scene No.]**

**--Parameter "Trigger value"**

This parameter is for setting the received value that trigger sequence execution. The value is according to the object datatype of trigger:

When select 1 bit, options:

**1 [On]**

**0 [Off]**

**Both 1 and 0**

When select 1 byte, options:

**Scene No.1**

...

**Scene No.64**

**Parameter "Enable step x command" (x=1~4)**

This parameter is for setting whether to enable command x(x=1~4). The setting of command x is visible when enabled. Options:

**Disable**

**Enable**

**--Parameter "IR code NO. for emitting [1..300]"**

This parameter is for setting the emission IR code of command x, which is configured by configuration software tool or DCA. Options: **1..300**

**--Parameter "Emitting channel"**

This parameter is for setting the emission channel connected with command x. Options:

**CH1**

**CH2**

**--Parameter "Delay time for emitting [0..255]\*0.1s"**

This parameter is for setting the delay time for command x emitting IR code. Options: **0..255**

**--Parameter "Count of emitting [1..100]"**

This parameter is for setting the count for command x emitting IR code. Options: **1..100**

## 5.5 Parameter window “Current detect setting”

**Note:** Only the Flush mounted supports current detection function, and the Ceiling not displays this window.

Fig.5.5 “Current detect setting” parameter window

### Internal current detect setting

#### Parameter “Object datatype of current detection”

This parameter is for setting the object datatype of current detection value. Options:

**Value in mA(DPT 7.012)**

**Float Value in mA(DPT 9.021)**

Value in mA(DPT 7.012): the unit of output current value is mA, integer data.

Float Value in mA(DPT 9.021): the unit of output current value is mA, float data.

#### Parameter “Send current value”

This parameter is for setting whether to send current detection value, or setting the sending conditions. Current value is sent to the bus by the object “Current value(mA)”. Options:

**No send**

**Send on change**

**Send cyclically**

**Send on read only**

---

**--Parameter "Value send after the changed [1..2000]mA"**

This parameter is visible when select "Send on change". Set the change value that sending current detection value should be reached. Options: **1..2000**

For example, set 50mA. When the current value is 100mA, it need that the current current value is more than 150mA or less than 50mA can send the current current value to the bus.

**--Parameter " Period of cyclical send [10..50000]s"**

This parameter is visible when select "Send cyclically". Set the time period that cyclically sending current detection value. Options: **10..50000**

**Parameter " Current threshold for ON [100..2000]mA"**

This parameter is for setting the current threshold for power on. The device status is On when the current is greater than or equal to the value. Options: **100..2000**

**Parameter " Hysteresis value [0. 50]mA"**

This parameter is for setting the hysteresis value. The device status is Off when current value less than (threshold - hysteresis value), no action in the interval. No hysteresis when the value is 0. Options: **0..50**

**Parameter "Send switch status"**

This parameter is for setting whether to send switch status, and setting the sending conditions. Switch status is sent to the bus by the object "Switch ON/OFF" Options:

**No send**

**Send on change**

**Send cyclically**

**Send on read only**

**--Parameter " Period of cyclical send [10..50000]s"**

This parameter is visible when select "Send cyclically". Set the time period that cyclically sending switch status. Options: **10..50000**

## Chapter 6 Communication Object Description

The communication object is the medium through which the device communicates with other devices on the bus, that is, only the communication object can perform bus communication.

The function of each communication object of each function block is described in detail below.

**Note: “C” in the property bar of the table below represents the communication function of the communication object;**

**“W” represents the value of the communication object can be rewritten by the bus;**

**“R” represents the value of the communication object can be read through the bus;**

**“T” stands for communication object with transmission function;**

**“U” means that the value of the communication object can be updated.**

### 6.1 “General setting” communication object

Number	Name	Object Function	Description	Group Address	Length	C	R	W	T	U	Data Type	Priority
1	General	In operation			1 bit	C	-	-	T	-	switch	Low

Fig.6.1 “General” communication object

NO.	Object Function	Name	Data Type	Flag	DPT
1	In operation	General	1bit	C,R,T	1.001 switch

This communication object is used to periodically send a telegram “1” to the bus to indicate that the device is working properly.

Table 6.1 “General setting” communication object

## 6.2 “Universal IR code control” communication object

Number	Name	Object Function	Description	Group Address	Length	C	R	W	T	U	Data Type	Priority
18	CH1-IR control 1: Input	IR Control trigger value			1 byte	C	-	W	-	U	counter pulses (0..255)	Low
19	CH1-IR control 1: Status	IR Response value			1 byte	C	R	-	T	-	counter pulses (0..255)	Low

Fig.6.2 “Universal IR code control” communication object

NO.	Object Function	Name	Data Type	Flag	DPT
18	IR Control trigger value	CH1-{{IR control 1}}: Input	1bit	C,W,U	1.001 switch
			1byte		5.010 counter pulses
<p>This communication object is used to receive trigger value of IR code. Object datatype and trigger telegram are both set by parameter.</p> <p>The name in parentheses{{}} changes with the parameter “Description (max 30 char.)”. If description is empty, display “...IR control x...” by default, such as “CH1-IR control 1: Input”. Below is the same.</p>					
19	IR Response value	CH1-{{IR control 1}}: Status	1bit	C,R,T	1.001 switch
			1byte		5.010 counter pulses
<p>This communication object is used to reply a status value to the bus after the device sending IR code, to inform emission is completed.</p> <p>Responding control value is set by parameter, object datatype is the same as trigger value’s.</p>					

Table 6.2 “Universal IR code control” communication object

## 6.3 “Air-condition control” communication object

Number	Name	Object Function	Description	Group Address	Length	C	R	W	T	U	Data Type	Priority
78	CH1-AC: Input	Power on/off			1 bit	C	-	W	-	U	switch	Low
79	CH1-AC: Input	Current setpoint adjustment			2 bytes	C	-	W	-	U	temperature (°C)	Low
80	CH1-AC: Input	Control mode			1 byte	C	-	W	-	U	HVAC control mode	Low
81	CH1-AC: Input	Fan speed			1 byte	C	-	W	-	U	percentage (0..100%)	Low
82	CH1-AC: Input	Wind swing=1/stop=0			1 bit	C	-	W	-	U	trigger	Low
83	CH1-AC: Input	Window contact			1 bit	C	-	W	-	U	window/door	Low
84	CH1-AC: Input	Presence detector			1 bit	C	-	W	-	U	occupancy	Low
85	CH1-AC: Status	Power on/off			1 bit	C	R	-	T	-	switch	Low
86	CH1-AC: Status	Current temperature setpoint			2 bytes	C	R	-	T	-	temperature (°C)	Low
87	CH1-AC: Status	Control mode			1 byte	C	R	-	T	-	HVAC control mode	Low
88	CH1-AC: Status	Fan speed			1 byte	C	R	-	T	-	percentage (0..100%)	Low
89	CH1-AC: Status	Wind swing=1/stop=0			1 bit	C	R	-	T	-	trigger	Low

Fig.6.3 “Air-condition control” communication object



NO.	Object Function	Name	Data Type	Flag	DPT
78	Power on/off	CH1-{{AC}}: Input	1bit	C,W,U	1.001 switch
<p>This communication object is used to control switch status of Air-condition via the bus.</p> <p>Telegram value: 1—On/0—Off</p> <p>The name in parentheses({}) changes with the parameter "Description (max 30 char.)". If description is empty, display "...AC..." by default. Below is the same.</p>					
79	Current setpoint adjustment	CH1-{{AC}}: Input	1byte 2byte	C,W,U	5.010 counter pulses 9.001 temperature
<p>This communication object is used to modify current setpoint temperature of Air-condition.</p> <p><b>Note: the object type is set by parameters, 2byte is suitable for KNX standard, 1byte is KNX non-standard, usually suitable for some custom control classes, the telegram value is the actual temperature value, such as 17 °C telegram value is 17 (decimal number).</b></p>					
80	Control mode	CH1-{{AC}}: Input	1byte	C,W,U	20.105 HVAC control mode
<p>This communication object is used to control each mode of Air-condition via bus.</p>					
81	Fan speed	CH1-{{AC}}: Input	1byte	C,W,U	5.001 percentage 5.100 fan stage
<p>This communication object is used to control fan speed of Air-condition via bus. Object datatype is set by parameter.</p>					
82	Wind swing=1/stop=0	CH1-{{AC}}: Input	1bit	C,W,U	1.017 trigger
<p>This communication object is used to control swing of Air-condition via bus.</p> <p>Telegram value: 0—Stop /1—Swing</p>					
83	Window contact	CH1-{{AC}}: Input	1bit	C,W,U	1.019 window/door
<p>This communication object is used to receive the switch status of window contact.</p>					
84	Presence detector	CH1-{{AC}}: Input	1bit	C,W,U	1.018 occupancy
<p>This communication object is used to receive the the room occupied status of presence detector.</p>					
85	Power on/off	CH1-{{AC}}: Status	1bit	C,R,T	1.001 switch
<p>This communication object is used to feedback the switch status of Air-condition to bus.</p> <p>Telegram value: 1—On/0—Off</p>					

86	Current temperature setpoint	CH1-{{AC}}: Status	1byte 2byte	C,R,T	5.010 counter pulses 9.001 temperature
<p>This communication object is used to feedback actual setpoint temperature value of Air-condition to the bus.</p> <p>Object datatype is set by parameter.</p>					
87	Control mode	CH1-{{AC}}: Status	1byte	C,R,T	20.105 HVAC control mode
<p>This communication object is used to send the control telegram of each mode of Air-condition to bus.</p>					
88	Fan speed	CH1-{{AC}}: Status	1byte	C,R,T	5.010 counter pulses 9.001 temperature
<p>The communication object is used to feedback current fan speed status of Air-condition to bus.</p>					
89	Wind swing=1/stop=0	CH1-{{AC}}: Status	1bit	C,R,T	1.017 trigger
<p>The communication object is used to feedback wind swing status of Air-condition to bus.</p> <p>Telegram value: 0—stop/1—swing</p>					

Table 6.2 “Air-condition control” communication object

### 6.4 “Sequence mode” communication object

Number ^	Name	Object Function	Description	Group Address	Length	C	R	W	T	U	Data Type	Priority
2	Sequence 1	Sequence trigger value			1 bit	C	-	W	-	U	switch	Low

Fig.6.4 “Sequence mode”通讯对象

NO.	Object Function	Name	Data Type	Flag	DPT
2	Sequence trigger value	{{Sequence 1}}	1bit 1byte	C,W,U	1.001 switch 17.001 scene number
<p>This communication object is used to receive the sequence trigger value from bus. Object datatype is set by parameter.</p> <p>The name in parentheses{{}} changes with the parameter “Description (max 30 char.)”. If description is empty, display “Sequence x” by default.</p>					

Table 6.4 “Sequence mode” communication object

### 6.5 “Current detect” communication object

Number *	Name	Object Function	Description	Group Address	Length	C	R	W	T	U	Data Type	Priority
162	Current detection	Switch ON/OFF			1 bit	C	R	-	T	-	switch	Low
163	Current detection	Current value(mA)			2 bytes	C	R	-	T	-	current (mA)	Low
164	Current detection	CH1-External switch ON/OFF			1 bit	C	-	W	-	U	switch	Low
165	Current detection	CH1-External error report			1 bit	C	R	-	T	-	alarm	Low
166	Current detection	CH2-External switch ON/OFF			1 bit	C	-	W	-	U	switch	Low
167	Current detection	CH2-External error report			1 bit	C	R	-	T	-	alarm	Low

Fig.6.5 “Current detect” communication object

NO.	Object Function	Name	Data Type	Flag	DPT
<b>162</b>	<b>Switch ON/OFF</b>	<b>Current detection</b>	<b>1bit</b>	<b>C,R,T</b>	<b>1.001 switch</b>
This communication object is used to send switch status of the device current detection to bus.					
<b>163</b>	<b>Current value(mA)</b>	<b>Current detection</b>	<b>2byte</b>	<b>C,R,T</b>	<b>7.012 current (mA)</b> <b>9.021 current (mA)</b>
This communication object is used to send current value of detection to bus. Object datatype is set by parameter.					
<b>164</b>	<b>CH1-External switch ON/OFF</b>	<b>Current detection</b>	<b>1bit</b>	<b>C,W,U</b>	<b>1.001 switch</b>
This communication object is visible when channel 1 is connected with external current detection. Used to receive the current status that the current detection device detects from bus (On/Off).					
<b>165</b>	<b>CH1-External error report</b>	<b>Current detection</b>	<b>1bit</b>	<b>C,R,T</b>	<b>1.005 alarm</b>
This communication object is used to send external current detection error telegram of channel 1.					
<b>166</b>	<b>CH2-External switch ON/OFF</b>	<b>Current detection</b>	<b>1bit</b>	<b>C,W,U</b>	<b>1.001 switch</b>
This communication object is visible when channel 1 is connected with external current detection. Used to receive the current status that the current detection device detects from bus (On/Off).					
<b>167</b>	<b>CH2-External switch ON/OFF</b>	<b>Current detection</b>	<b>1bit</b>	<b>C,R,T</b>	<b>1.005 alarm</b>
This communication object is used to send external current detection error report of channel 2.					

Table 6.5 “Current detect” communication object