

User Manual

OUTDOOR STATION



T-Series 2-Wire Wall Mounted Outdoor Station User Manual_V1.0 T-OS18

Attentions

1、 Please keep devices away from strong magnetic field , high temperature , wet environment ;



2、 Please do not fall the devices to the ground or make them get hard impact ;



3、 Please do not use wet cloth or volatile reagent to wipe the devices ;



4、 Please do not disassemble the devices.

CONTENTS

Chapter 1 Function Overview	2
1.1 Functional features	2
1.2 Specifications	2
Chapter 2 Product Introduction	3
2.1 Appearance	3
2.2 Dimension	4
2.3 Interface Introduction	5
Chapter 3 Installation	6
3.1 Installation Height	6
3.2 Installation Steps	7
3.3 Unlocking Wiring	7
Chapter 4 Operation Instructions	9
4.1 Calling Resident	9
4.2 Unlock	9
1) Unlock by Indoor Monitor	9
2) Unlock by IC Card	9
3) Unlock by external push button	9
4) Unlock by APP	9
4.3 Two Door Locks	10

Chapter 1 Function Overview

This product is an Outdoor Station in 2-wire analog video door phone system. Two core wire is adopted to connect into the system, which enable visual intercom with the Indoor Monitor. It supports IC card control.

1.1 Features

- Support video intercom with HD, unlocking, remote call to Tuya APP, real-time video intercom and unlocking
- Support for opening two locks
- Support IC card
- Support real-time monitoring, human detection recording and alarm to Tuya APP, easy to view in real time at any time on the APP
- Low light for color display at night

1.2 Specifications

Working parameters

Working Voltage: DC 15~24V

Static Current: $\leq 160\text{mA}$ (DC 30V)

Working Temperature: $-25^{\circ}\text{C}\sim 55^{\circ}\text{C}$

Working Current: $\leq 220\text{mA}$ (DC 24V)

Storage Temperature: $-40^{\circ}\text{C}\sim 70^{\circ}\text{C}$

Dimension(H/W/D):: 168 x 86 x 33.5mm

Camera

Type: CMOS

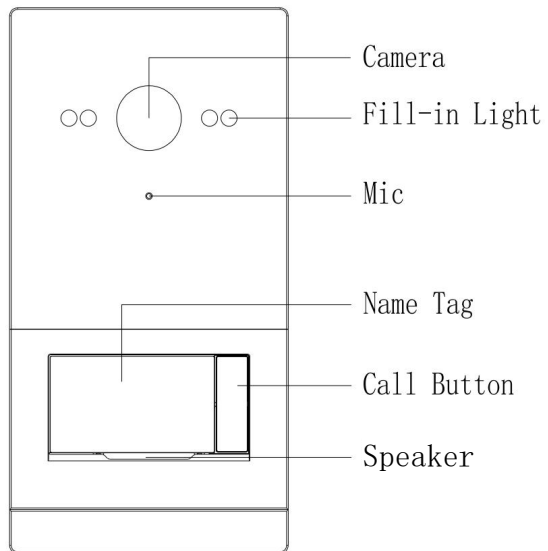
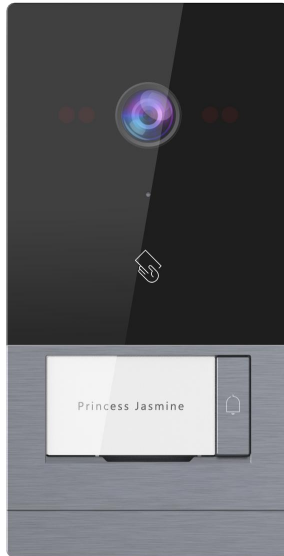
Pixels: 2.0 MP

View Angle: 110°

Fill-in Light Type: white light

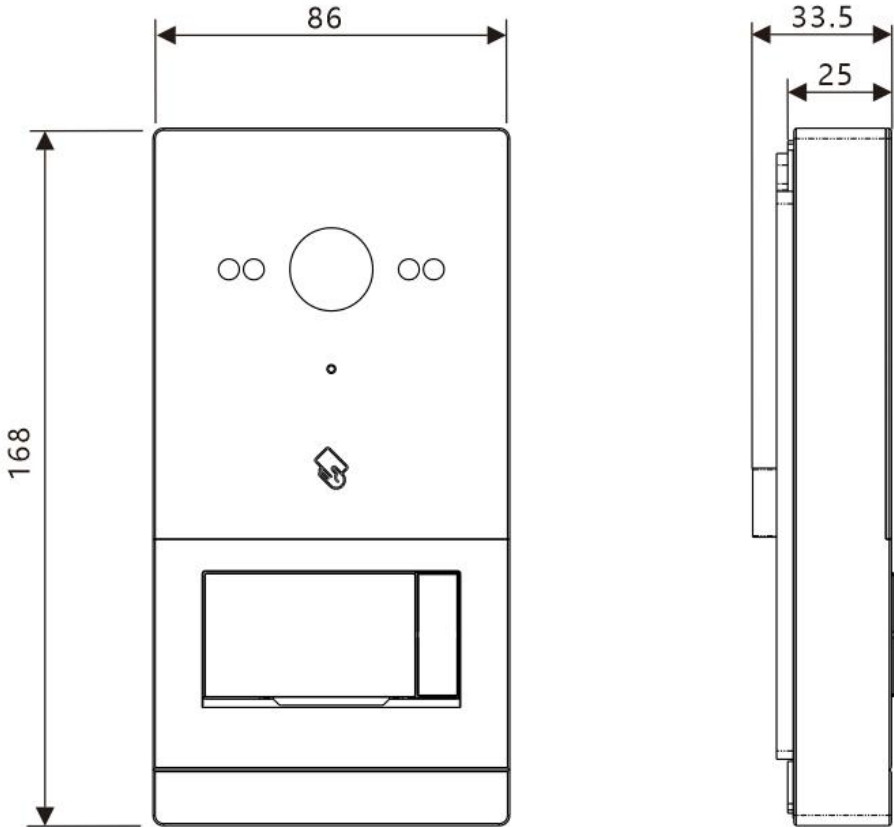
Chapter 2 Product Introduction

2.1 Appearance

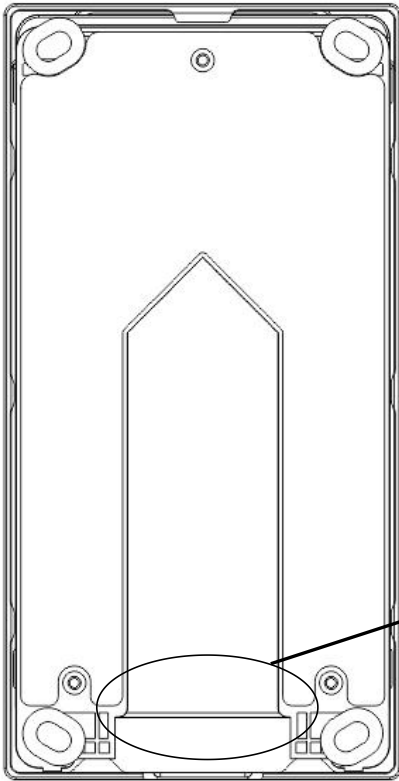


2.2 Dimension

Unit: mm



2.3 Interface Introduction



BUS-A BUS-B NC COM NO LOCK+ GND SW1

Interface Introduction:

BUS-A, BUS-B: Bus interface; (no polarity)

NO, COM, NC: normally open, common interface, normally closed; (dry contact)

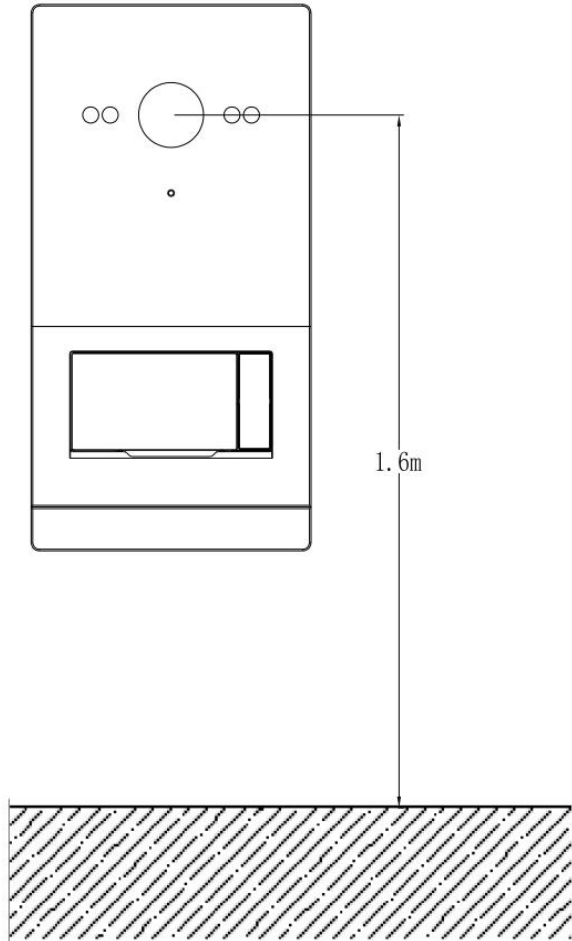
LOCK+ : Electronically controlled lock unlocking; (DC12V)

GND: Ground wire

SW1: Unlock at inside door by electric locking.

Chapter 3 Installation

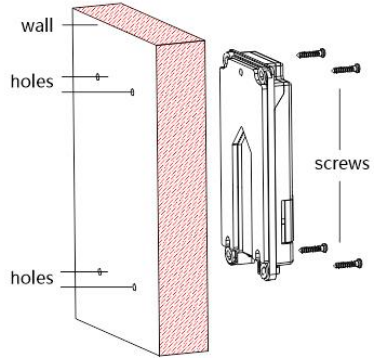
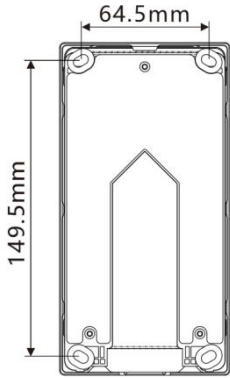
3.1 Installation Height



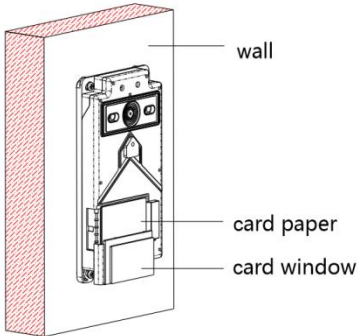
Suggested Installation Height: camera is 1.6m above the ground

3.2 Installation Steps

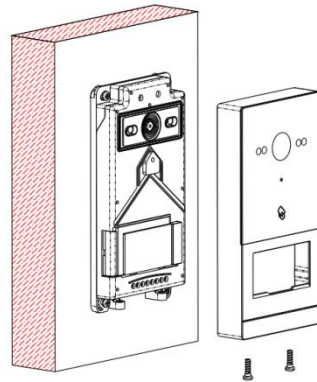
Step 1: Drill holes in the wall to fix the expansion nails to the wall, refer to the size of the holes in the picture below (149.5 x 64.5), wire the device and fix it to the wall with 4 self-tapping screws.



Step 2: Fix the card paper with content to the card window. Make the wire connections according to the wiring diagram.

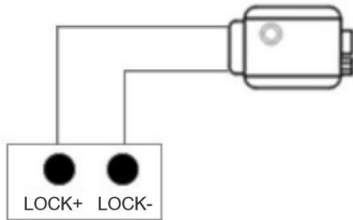


Step 3: Assemble the aluminum panel on Outdoor Station, using plum screws to secure it in the position shown.



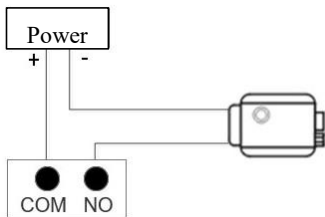
3.3 Unlocking Wiring

- **Signal unlock wiring**



12V electric lock wiring (12V electric lock)

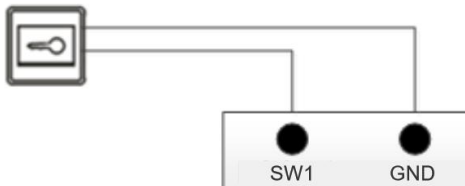
[Note] This wiring has no polarity.



Normally open lock wiring(relay lock)

[Note] Power cannot be supplied from Outdoor Station.

- **Exit button unlock wiring**



[Note] This wiring has no polarity.

Chapter 4 Operation Instructions

4.1 Calling Resident

By short pressing Call button on the device, visitor starts calling Indoor Monitor. If there is no answer within 30 seconds, the call will be ended. At the same time, you can call the mobile phone app and connect to the Indoor Monitor to make a video call. After receiving unlock signal from Indoor Monitor, the door lock will be opened. When mobile phone APP answers, the mobile phone can make a real-time video call and unlock the door, at which point the Indoor Monitor stops ringing and turns off the display.

4.2 Unlock

1) Unlock by Indoor Monitor

Door can be unlocked from Indoor Monitor when it's communicating with Outdoor Station or under surveillance mode. Indoor Monitor can choose to unlock door 1 or 2.

2) Unlock by IC Card

The resident can unlock the door by holding the registered access card close to the card swiping area on the device, by default the door lock 1 will be unlocked.

3) Unlock by external push button

As there is an interface for integration of external push buttons, when this is connected, a normal push button can be used to unlock the door. Exit button unlocks door lock 1 by default.

4) Unlock by APP

Unlocked by the Tuya APP on your mobile phone.

4.3 Two Door Locks

Outdoor Station supports two door locks, i.e a 12V electric lock and a relay signal lock.

